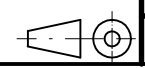


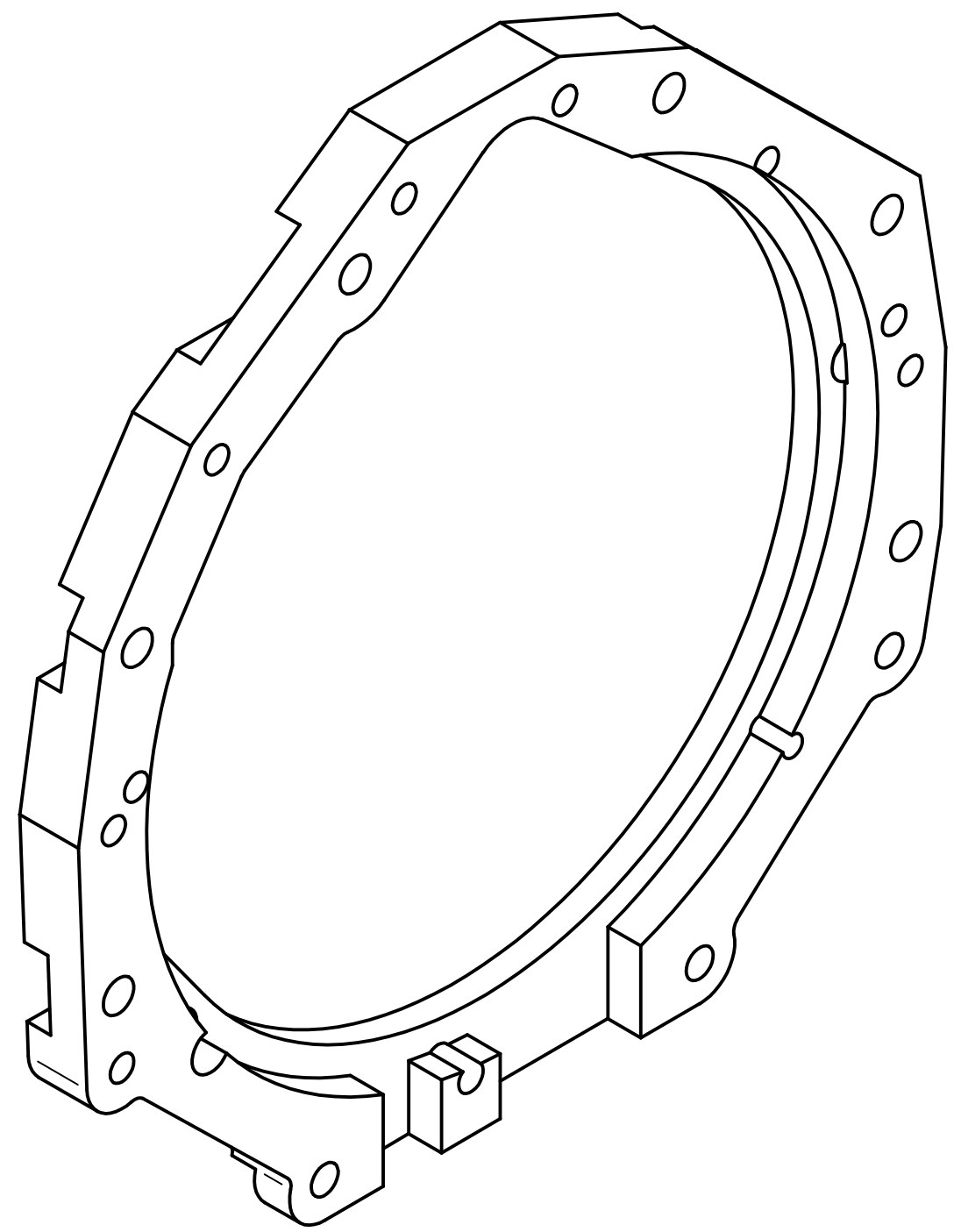
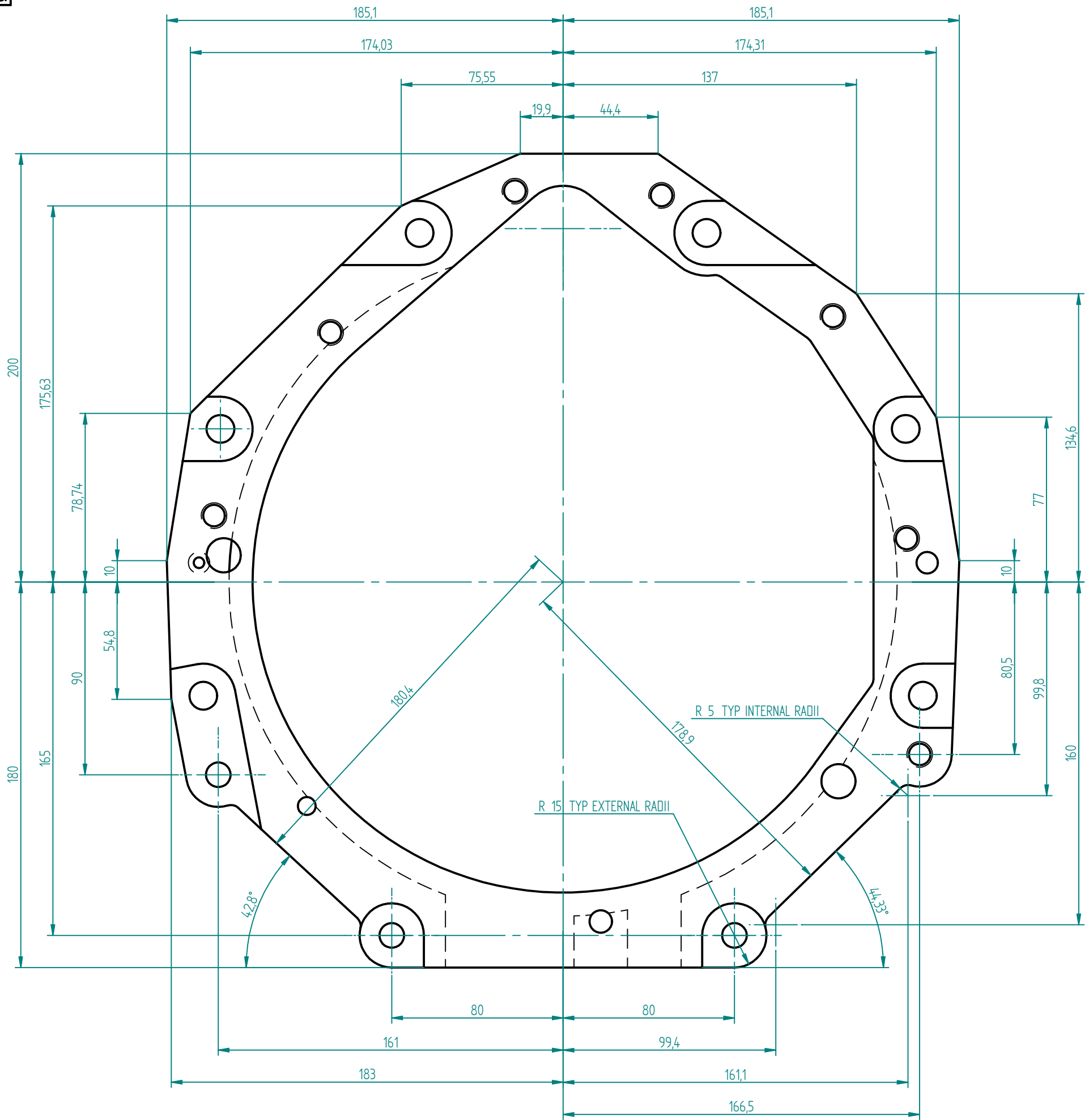
SOLID EDGE RESELLER COPY

PLATE INTERNAL PROFILE

1:2

<b>GUERILLAMOTIVE</b>		
<b>ONE TONNE GUERRILLA</b>		
SIZE <b>A3</b>	Title: 1UZFE TO G86 ADAPTOR PLATE	REV <b>2</b>
Name: Adaptor Plate		19/Aug/10 SHT 1 OF 4



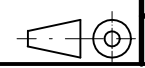


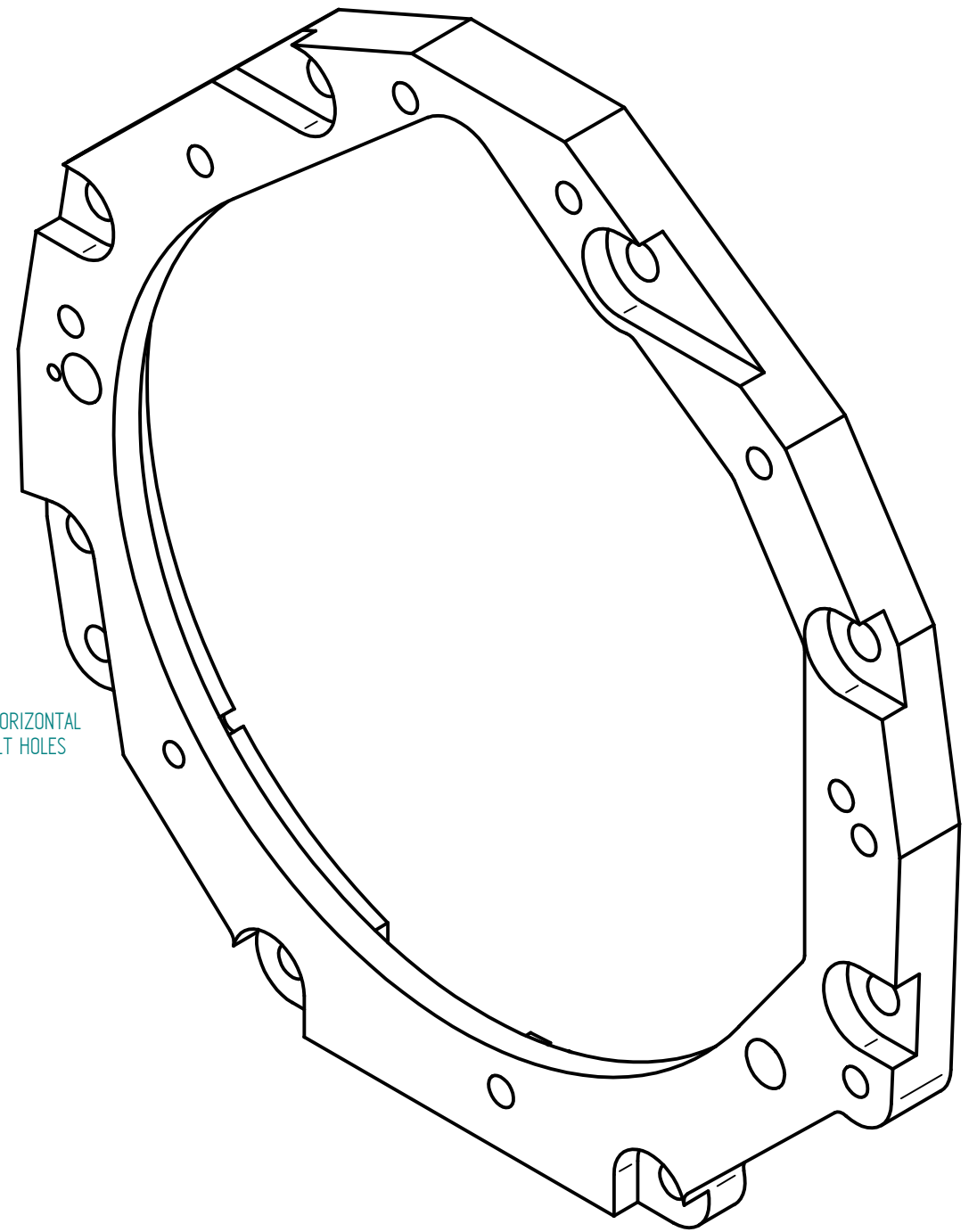
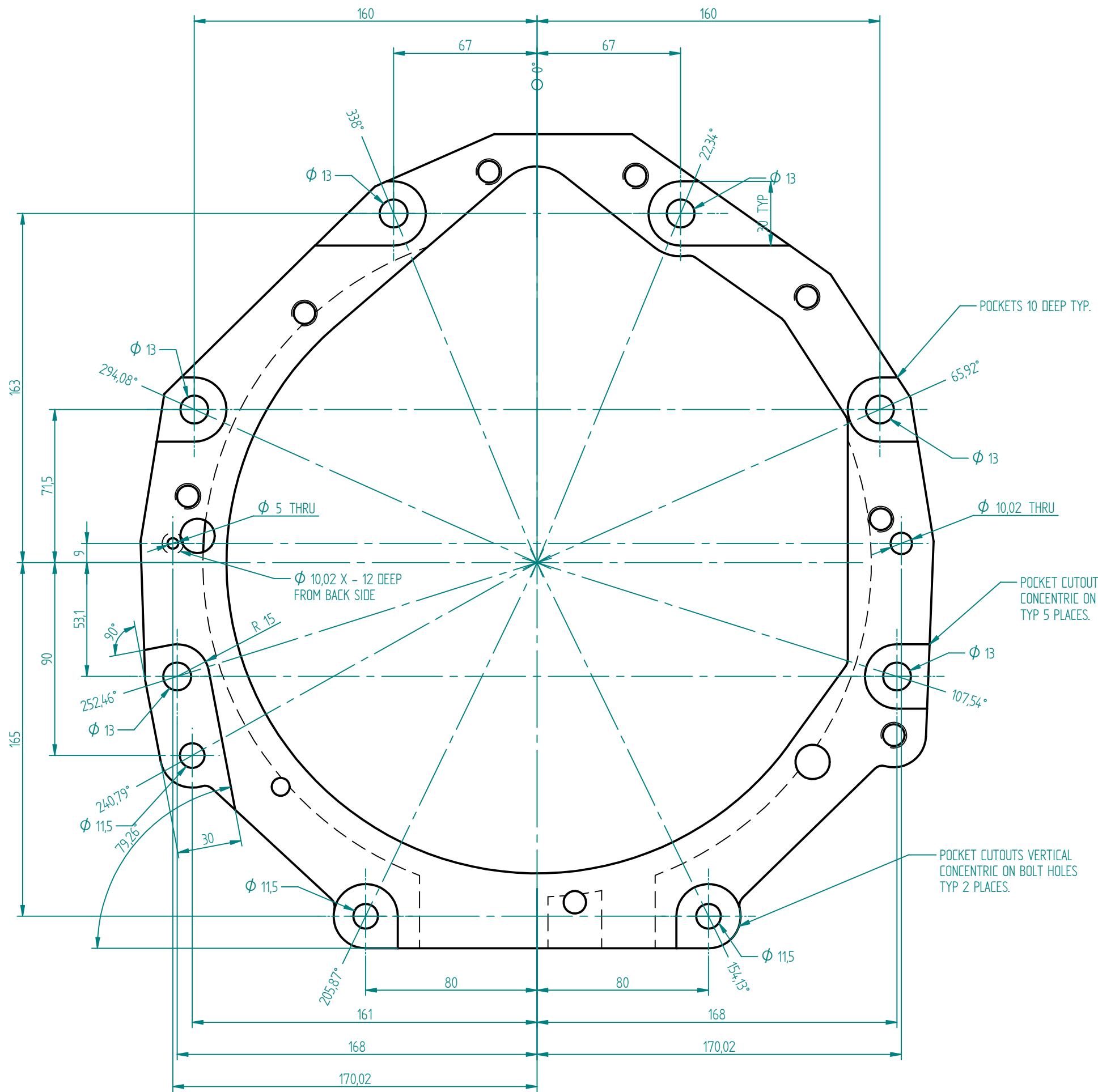
VIEW ON ENGINE SIDE

SOLID EDGE RESSELLER COPY

EXTERNAL PROFILE

<b>GUERILLAMOTIVE</b>		
<b>ONE TONNE GUERRILLA</b>		
SIZE	Title:	REV
<b>A3</b>	1UZFE TO G86 ADAPTOR PLATE	<b>2</b>
Name: Adaptor Plate		19/Aug/10 SHT 2 OF 4



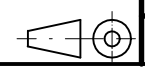


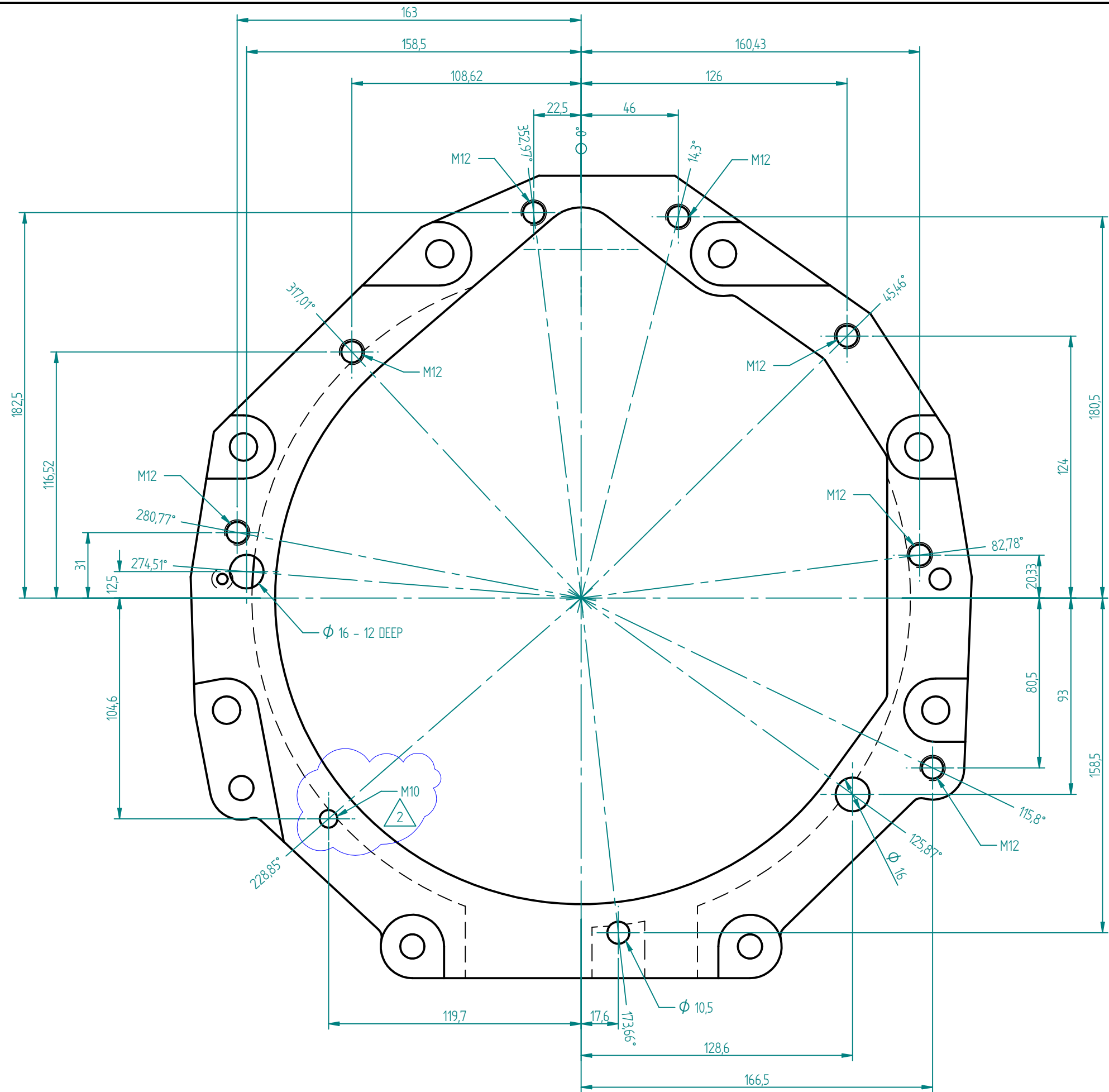
VIEW ON TRANSMISION SIDE

SOLID EDGE RESELLER COPY

BOLTING FOR ENGINE  
1:2

<b>GUERILLAMOTIVE</b>		
<b>ONE TONNE GUERILLA</b>		
SIZE <b>A3</b>	Title: 1UZFE TO G86 ADAPTOR PLATE	REV <b>2</b>
Name: Adaptor Plate		19/Aug/10 SHT 3 OF 4





BOLTING FOR TRANSMISSION

1:2

SOLID EDGE RESELLER COPY

<b>GUERILLAMOTIVE</b>		
<b>ONE TONNE GUERILLA</b>		
SIZE	Title:	REV
<b>A3</b>	LUZFE TO G86 ADAPTOR PLATE	<b>2</b>
Name: Adaptor Plate		19/Aug/10 SHT 4 OF 4

